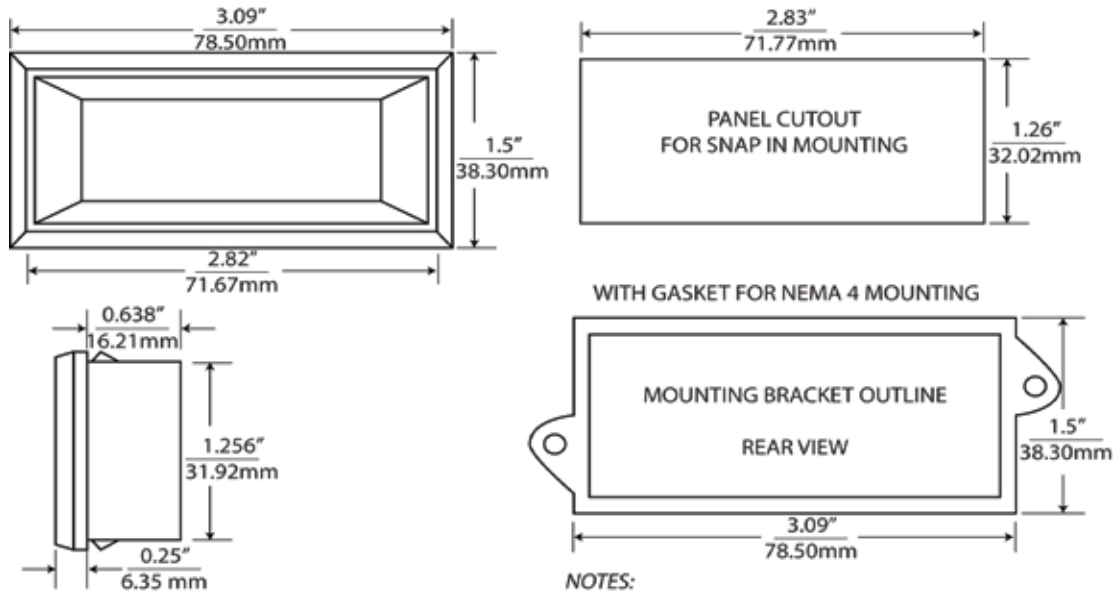


HVPI-3-XEC Series dimensions Reference only



inches
mm

- NOTES:**
1. Panel thickness is: 0.032"/0.81mm to 0.25"/6.35mm
 2. Gasket supplied is: 0.09"/2.25mm thick

