

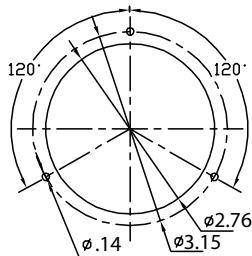
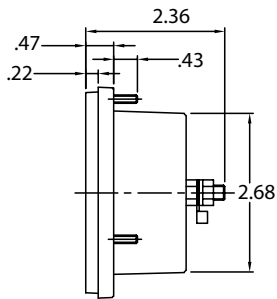
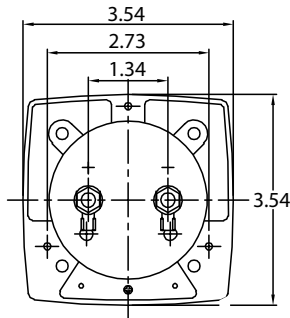


DIMENSIONS IN INCHES

# HST-90u

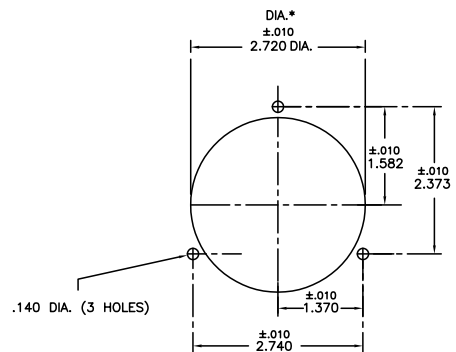
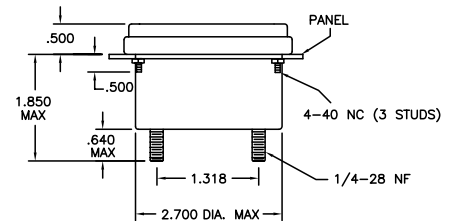
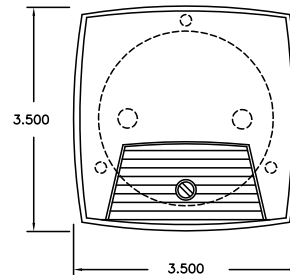
## Analog Meters

### HOYT HST-90u



PANEL CUT-OUT

### YOKOGAWA NEW BIG LOOK 3.5" TYPE 250 & 254



PANEL CUT-OUT

\*2.860 Dia. With Shield